

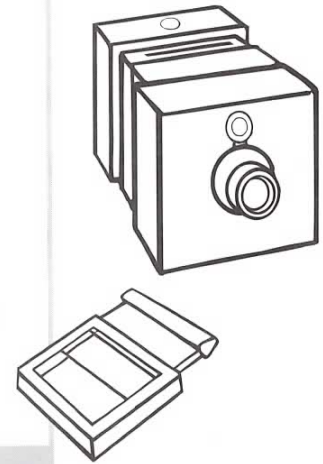
Name _____

Mr. Brady's Photography Studio

It has now been two months since I began working in matthew brady's photography studio The studio is long narrow and crowded with supplies However at the rear of the studio is a small room that I call home I awaken daily at 5:00 a.m. to prepare mr brady's photography supplies. I must wipe down the silver box and prepare the iodine for the photograph or daguerreotype," which is what they call this amazing way of capturing an image



- special words in quotes



MONDAY

WEEK 21

although I have little experience working with such complex equipment Mr Brady has allowed me to work as his apprentice I met him on my long journey from ohio to new york city the train was crowded and he asked me if he could store his equipment in my overhead compartment. As I had only a few items I obliged. when I inquired about his odd-looking boxes I learned that he was matthew brady the well-known photographer



- names of people
- names of places
- hyphens

TUESDAY

WEEK 21

Name _____

By the time we arrived in new york city Mr brady had agreed to take me on as his apprentice in exchange for lodging this has been a life+changing experience for me. Since I have been in new york I have seen many of the well>known subjects who have "sat for portriats by mr brady. perhaps most exciting for me was to see abe lincoln our beloved president who was photographed both alone and with his family.



- hyphens
- abbreviations

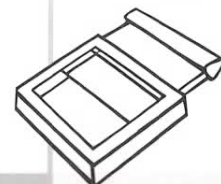
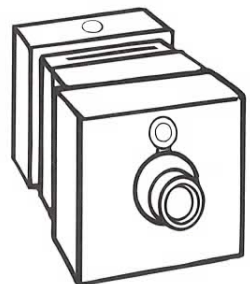
WEDNESDAY

WEEK 21

i have gained much experience in handling the photography equipment Many hours of work in what mr. Brady calls the dark room" have been invaluable to me I have gained knowledge of how to use mercury and how to apply salt solution to create a clear image I never imagined that traveling to New york would acquaint me with such a profession and with such prominent people It seems I am living an incredible unbelievable dream yet its real



- special words in quotes



THURSDAY

WEEK 21